

Designers Lighting Forum of Los Angeles presents the

## Lesley Wheel Memorial Scholarship

DESIGN PROJECT NO. 20:

### Table Top Mirror Vanity Light

#### Registration Procedure

To register, visit our website at [www.dfla.org](http://www.dfla.org). All registration forms must be submitted by **April 27, 2018**. There is no charge to register for the competition.

#### The Challenge

Design and build a Table Top Mirror Vanity light. Prototype must be functional, using (2) LED Medium Screw Base, 10 watt, "Bright Stik" lamp. The project must also include a Mirror. A brochure must accompany the prototype.

#### Fixture Requirements

Students shall begin with (2) typical LED Medium Screw Base, 10 watt, "Bright Stik" lamps, available in (3) packs at Home Depot. If the exact lamps shown are not available, entrants may use any similar wattage in the same shape. Please utilize only 3000K Color temperature (we're lighting faces here).



## Design Intent

Students are challenged to build a functioning prototype of a **Table Top Mirror Vanity Light** fixture. Fixture should include a Mirror. Please remember the design intent while designing your fixture and design your lamp shielding accordingly.

## Design Considerations

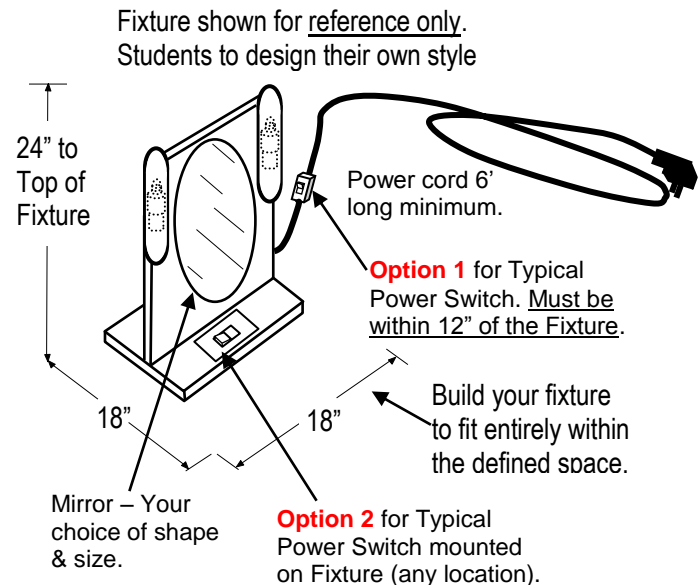
When planning your tabletop vanity mirror light, think about what makes you look best.

- Should the lights be high or low? Top or bottom? Left or right?
- DO the lamps need additional shading to soften the light?
- Should the mirror be adjustable? Should your lights tilt or swivel with the mirror?

Your imagination and creativity are the only limitations. Our friendly diagram shows a rigid, square stand with an oval mirror, but you can make whatever shape and style, so long as you stay within the 18" L x 18" W x 24" H limitation.

## Fixture Requirements:

- Size Restrictions: Prototype fixtures may not exceed the following dimensions: 18" x 18" square footprint x 24" high, and must be completely free standing.
- Fixture may not exceed 20 lbs weight.
- Fixture must utilize (2) LED Medium Screw Base, 10 watt, "Bright Stik" lamp or similar.
- Prototype must have **SINGLE POWER CORD AND PLUG** (min. 6'-0" long).
- Prototype must have a switch either on the fixture or on the cord, within 12" of the fixture. The fixtures will be judged while on a table, it is important that the judges can easily switch the lights on and off without reaching under the table.
- Prototype fixture must be provided with (1) non-grounded male Edison plug (2-prong). All wiring connections must be made safe. Fixtures with exposed conductors will be disqualified. (hint: because the lamp is low wattage, you can use a smaller gauge lamp wire with a snap-on rotary in-line switch, and snap-on ungrounded plug – both available at a home store like Home Depot)
- Prototypes are not intended to operate for extended periods of time. They will be illuminated briefly for judging. Still, be careful with your material selections to avoid any undesirable fires.
- The fixture must include a Mirror.
- Prototype fixture must be accompanied by a student-designed **Brochure**, as well as a **Student Display Place Card** (see below for details).



## Brochure Criteria:

The prototype is to be accompanied by a 2-page brochure (8.5" x 11").

- Page 1 – An 'advertising' tool and should include images and intended uses of fixture.
- Page 2 – A specification sheet including line drawings, construction materials, wattage, voltage, lamp life, etc.

Include your name only on the back of each page. Do not list your school here.

Hint: Use a plastic sheet protector to keep your documents together and clean.

## Student Display Place Card:

This form is attached as part of this file (last page). It contains identification information for the student, and will serve as a marker during the competition. **Please fill this form out and bring with you on the day of the judging.**

## Entry Checklist

- ❑ Fixture design includes a Mirror and is suitable to illuminate your face for applying make-up.
- ❑ Fixture meets all size and weight requirements.
- ❑ Fixture must have min. 6'-0" power cord with a single 2-prong un-grounded plug.
- ❑ Fixture has a switch located on the power cord within 12" of the fixture, or a switch located on the fixture or display itself.
- ❑ Top of fixture/display is 24" high or less.
- ❑ (2) Lamps are Medium Screw Base, 10 watt, "Bright Stik" lamp or similar.
- ❑ Fixture is provided with both a fixture brochure and a fixture specification sheet. **Don't forget to name your fixture!**
- ❑ Student is prepared for a verbal presentation should they reach finals judging
- ❑ Student display placard is filled out and submitted with fixture

## What To Expect The Day Of Judging

**Fixture Drop Off** - Fixtures are to be delivered on May 1, 2018 Double Tree Hilton at:  
Double Tree Hilton  
Ballroom  
888 Montebello Blvd.  
Rosemead, CA 91770  
(323) 722-8800

**Fixtures must arrive between 12:30-2:00pm or they are subject to disqualification.** Free parking is available at the hotel. The fixture will be evaluated by two sets of judges. Finalists from the afternoon judging will be notified that afternoon by phone, and then expected to present their prototype fixture at the meeting that evening. Fixture assemblies will be placed on narrow banquet tables with the documentation displayed in front of the fixture.

**Verbal Presentation** – Each entrant should prepare a five-minute presentation to explain the benefits and design process of their fixture. Entrants will then field questions from the judges and audience members. Only the finalists will be required to make the presentation at the evening judging session at 7:00 pm. This will serve as the final phase of the judging process.

**Disposition of Projects** - All projects must be collected that evening, May 1st, after the DLF program (approx. 9:00pm). The DLF-LA will not be responsible for any fixtures left behind. The DLF scholarship committee will retain finalist's prototypes for display at the Lumen West Awards Banquet on June 23, 2018 in Los Angeles. Finalists are invited to attend this banquet, as guests of the DLF-LA, where the scholarship winner will be announced. If a finalist you would like to bring a guest, additional tickets for the Banquet will be available for purchase if the DLF is unable to secure sponsors.

### **Fixture prototypes will be judged on:**

Aesthetics

Performance

Design concepts - including creativity of design – appropriate applying make-up?

Clarity and creativity of brochure

Clarity and creativity of verbal presentation

Please note: If we cannot locate you on May 1<sup>st</sup> between 4:00 and 5:30 pm to let you know you are a finalist, and eligible for the verbal presentation portion of the contest, you will not be able to complete the competition. To ensure we can reach you, make sure you fill in a phone number on the "Place Card" page.

**Designers Lighting Forum of Los Angeles**  
**Student Lighting Scholarship Design Project # 20 Registration Form**

**Table Top Mirror Vanity Light**

**Registration:** To be eligible for this scholarship contest, you must be a current student pursuing a career in the field of lighting, interior design, architecture, or engineering. There is no cost to enter the competition. Please refer to the contest criteria posted on the Designers Lighting Forum web site at [www.dfla.org](http://www.dfla.org).

**Important Dates:**

**Registration Form Due** - **April 27, 2018**

**Day of Judging - Projects due by 2:00pm** - **May 1, 2018**

**Finalist Verbal Presentations at 7:00pm**

Student Name: \_\_\_\_\_

Contact Phone: \_\_\_\_\_ Contact Phone II: \_\_\_\_\_

Address: \_\_\_\_\_  
\_\_\_\_\_

School: \_\_\_\_\_

Professor (if assigned as class project): \_\_\_\_\_

List of current or past related courses: \_\_\_\_\_

\_\_\_\_\_  
\_\_\_\_\_  
\_\_\_\_\_  
\_\_\_\_\_

If you have any questions, please contact:  
Lauri Maines 661-313-4713; LauriMaines1@aol.com  
Jeremy Windle 213-607-8388; JWindle@studiok1.com

## Student Display Placard

**This form must accompany your entry or your project will not be accepted for judging.** The phone number must be a number where you may be reached the day of the competition. If we cannot locate you to let you know you are a finalist, and eligible for the verbal presentation portion of the contest, you will not be able to complete the competition.

**Phone number where student may be contacted on May 1, 2018 between 4:00 – 5:30pm**

**Name:** \_\_\_\_\_

**School:** \_\_\_\_\_

**Field of Study:** \_\_\_\_\_

**Product or Fixture Name:** \_\_\_\_\_

**Entry Number:** \_\_\_\_\_